

8 7 6 5 4 3 2 1

H H

G G

F F

E E

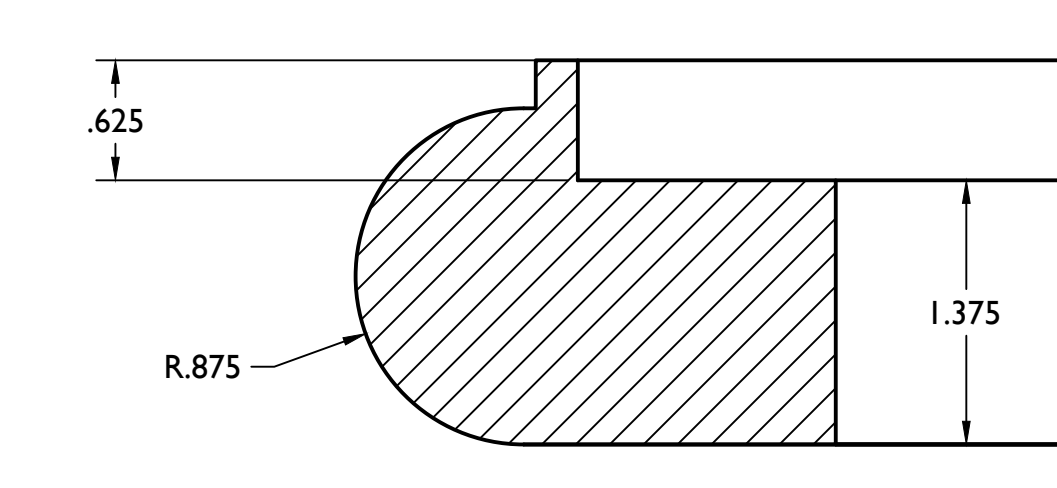
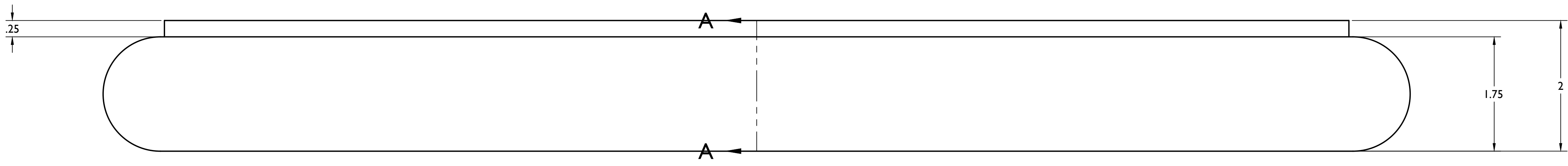
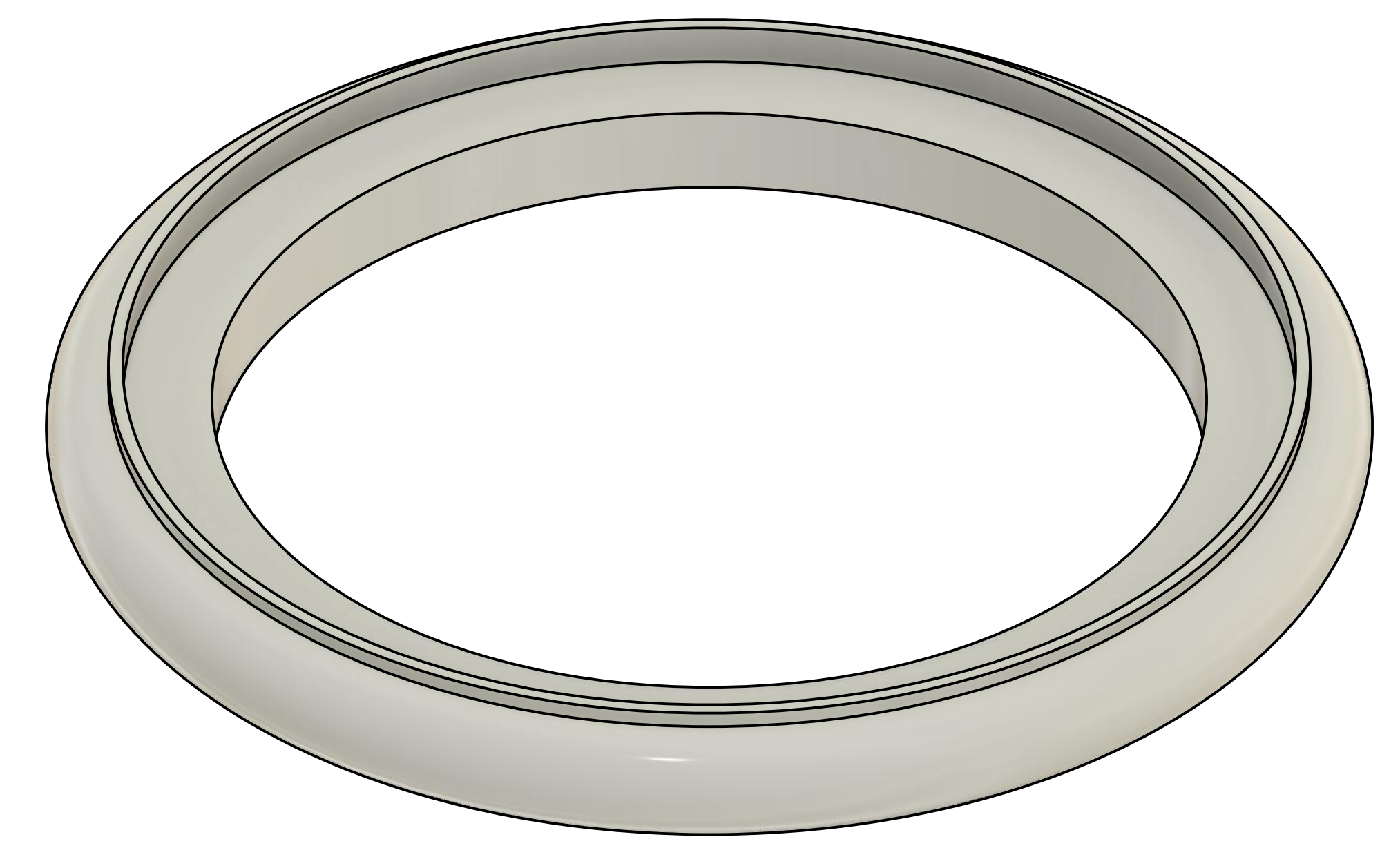
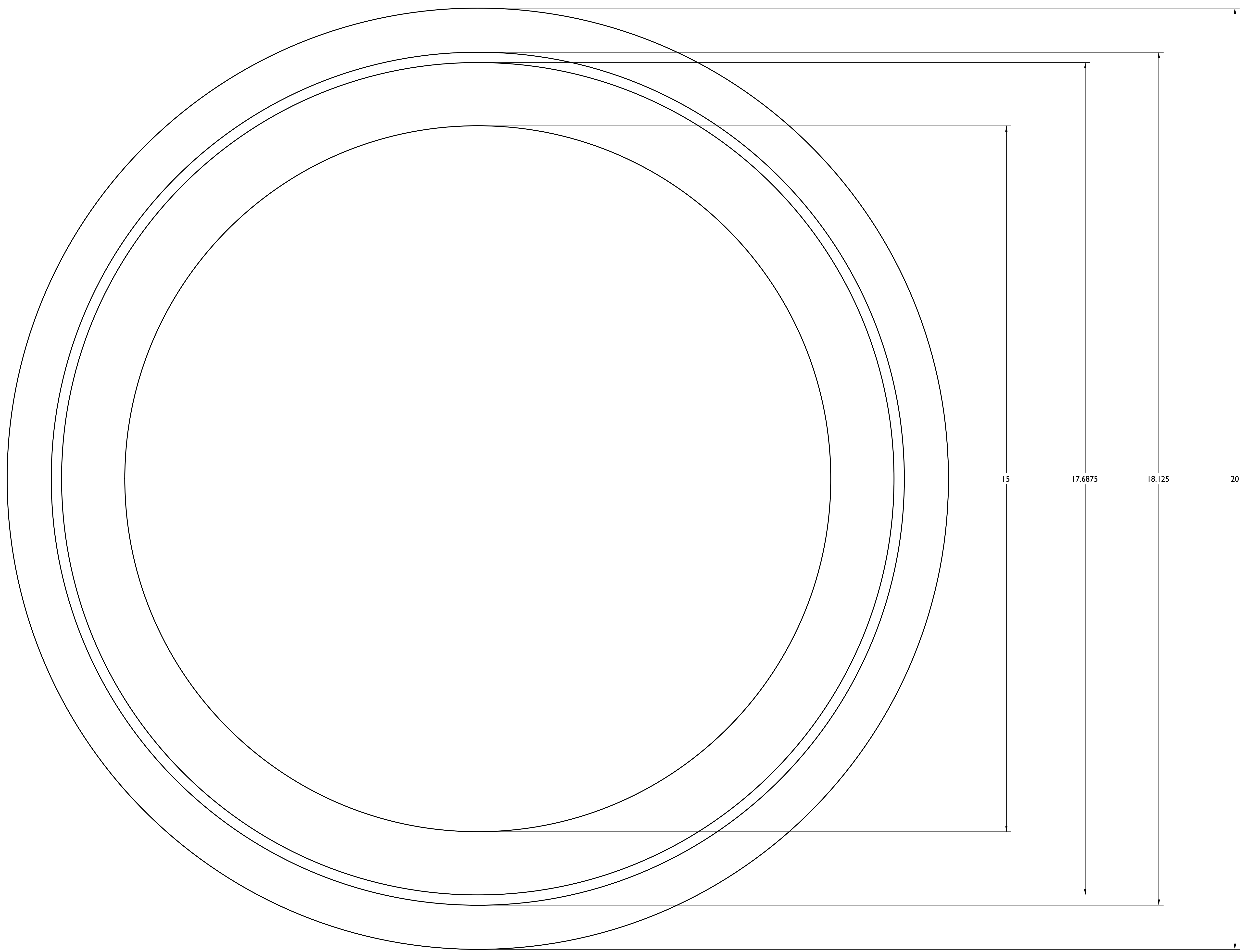
D D

C C

B B

A A

8 7 6 5 4 3 2 1



SECTION A-A
SCALE 1:1

| | | | | |
|----------|------------------|-----------------------------|-----------|-----------|
| PROJECT | | B9 Builders Club Blueprints | | |
| TITLE | | B9 Donut V2 | | |
| APPROVED | Craig Reinbrecht | 20/01/2020 | SIZE | CODE |
| CHECKED | E | | DWG NO | REV |
| DRAWN | Ian Hughes | 20/01/2020 | SCALE 1:1 | WEIGHT |
| | | | | SHEET 1/1 |