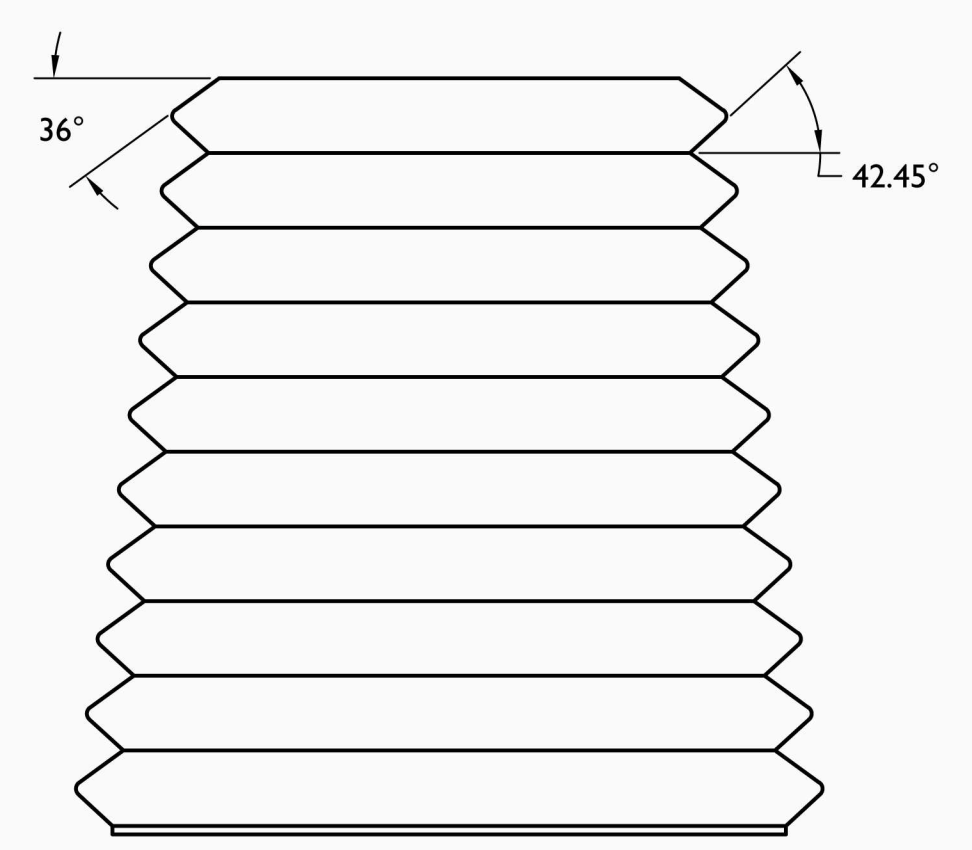
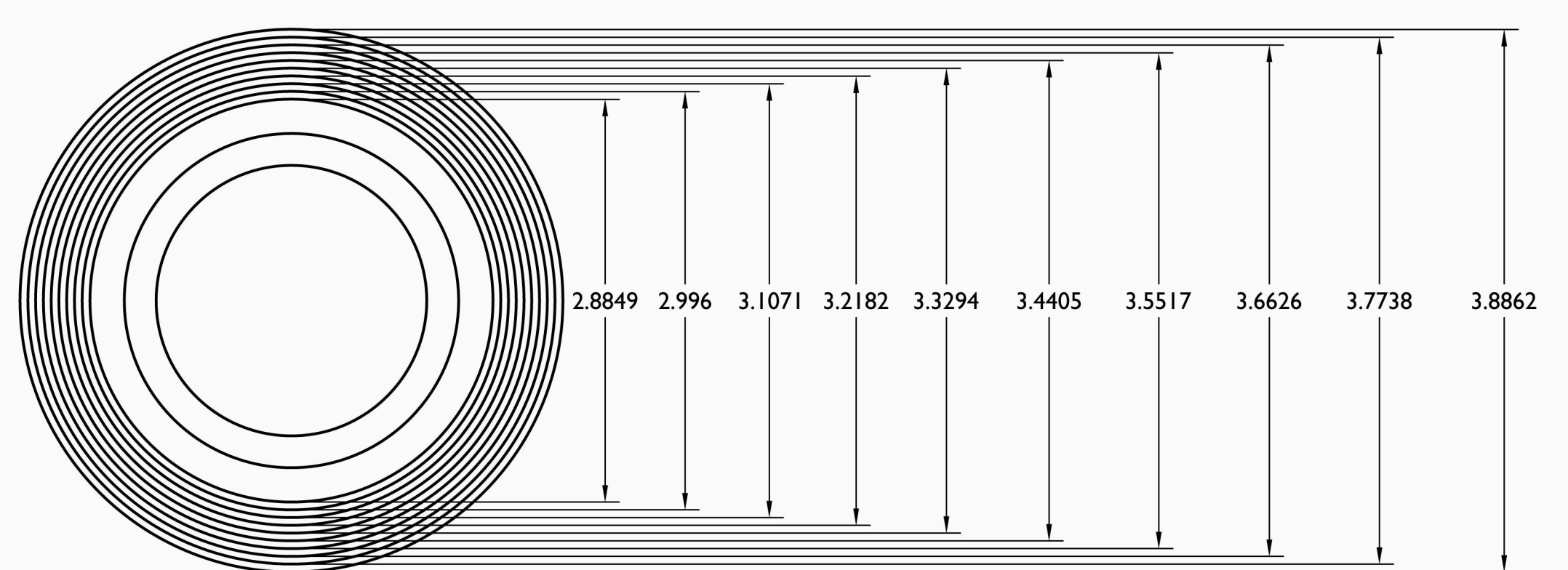
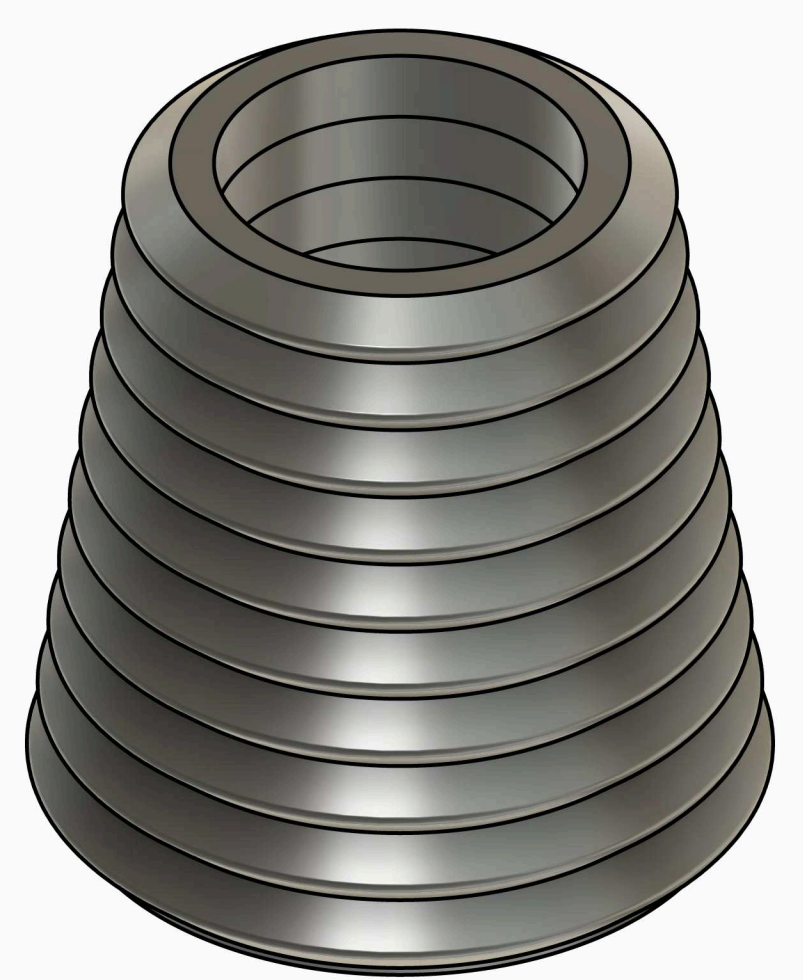
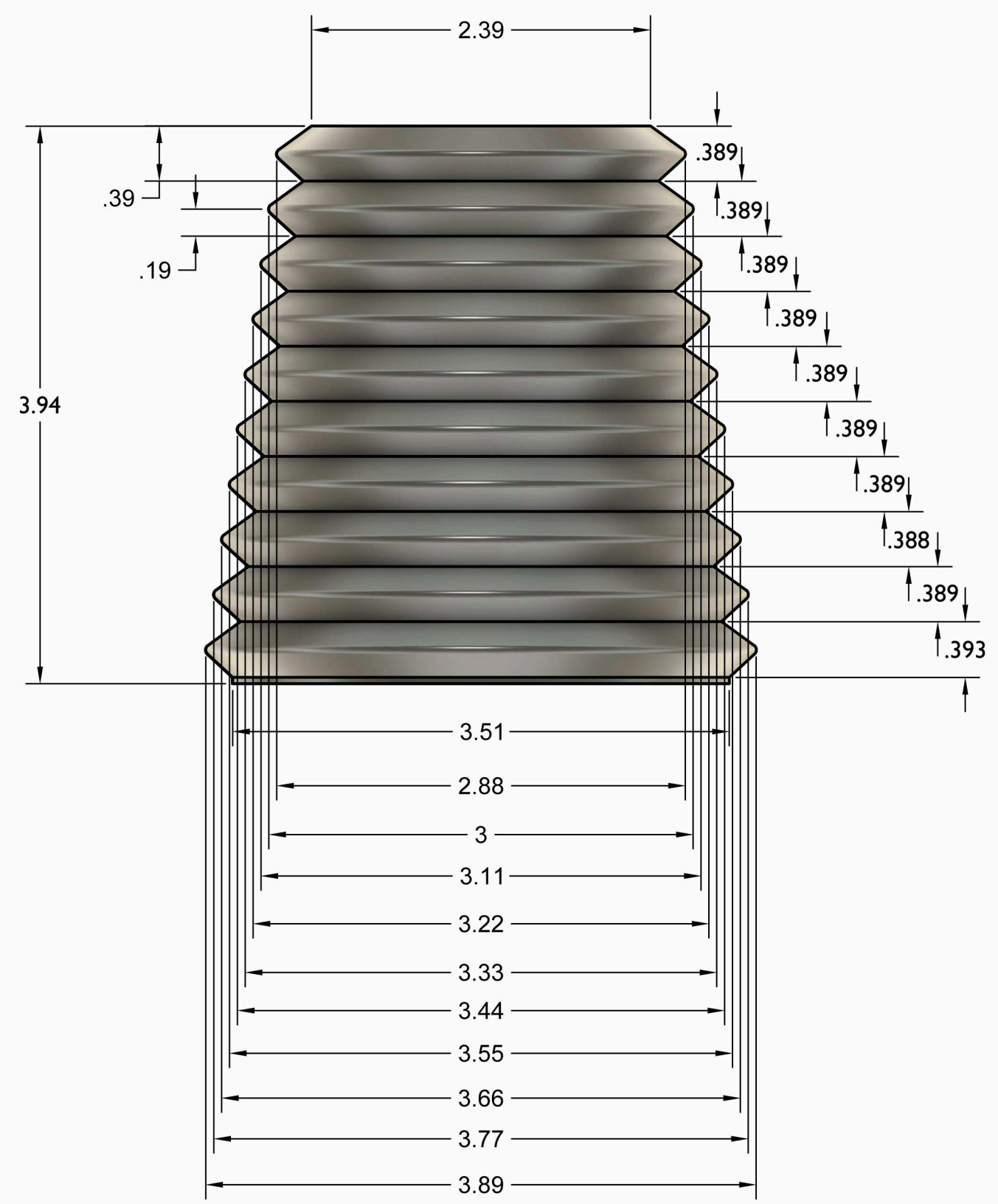


4 3 2 1



PROJECT		B9 Builders Club Blueprints		
TITLE		Neck Bellows		
APPROVED Craig Reinbrecht 20/01/2020	SIZE	CODE	DWG NO	REV
CHECKED	C			
DRAWN Ian Hughes 19/01/2020	SCALE 1:1	WEIGHT	SHEET 1/1	

D
C
B
A

D
C
B
A

4 3 2 1